

Pump Accessories

*i*CV™

Maximum Flow

**In-Line
Ball & Swing
Check Valves**

RamParts rugged iCV Ball & Swing check valves are specifically designed to prevent reverse flow and aid in the reduction of the damaging effects of water hammer. iCV check valves provide super high flow rates with minimal pressure drop and allow for maximum solid size passage. They are available in unlined ductile iron or lined with ETFE for outstanding chemical resistance. For those harsh slurry & chemical applications; Hypalon, Neoprene, Nordel or Viton elastomer lined valves are available to provide excellent abrasion resistance.

Rated to 150 psi

Size range 1-1/2" to 6"

Temperature rating of (-) 20°F to (+) 400°F

(Consult factory for larger sizes)

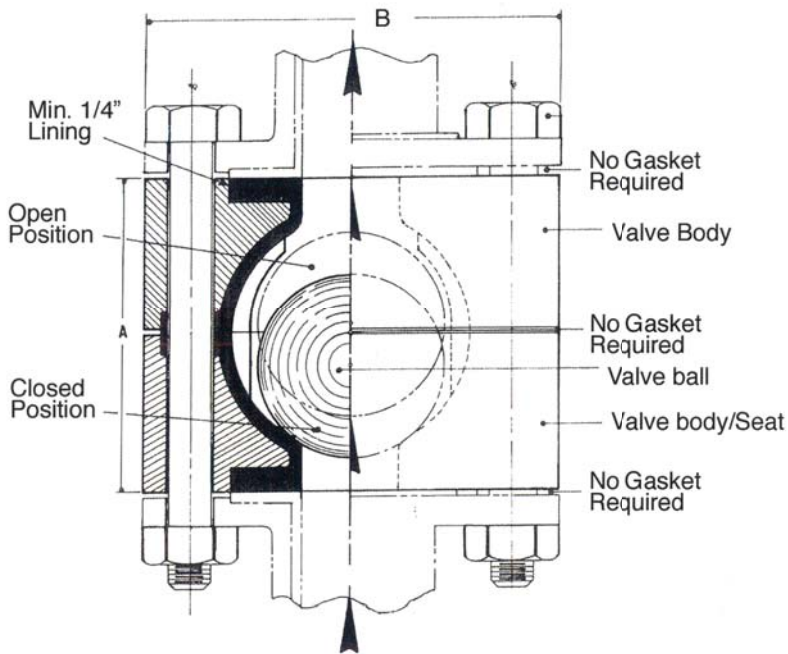
*Prevents Reverse Flow
Stops Water Hammer*



RamParts®
Pumps

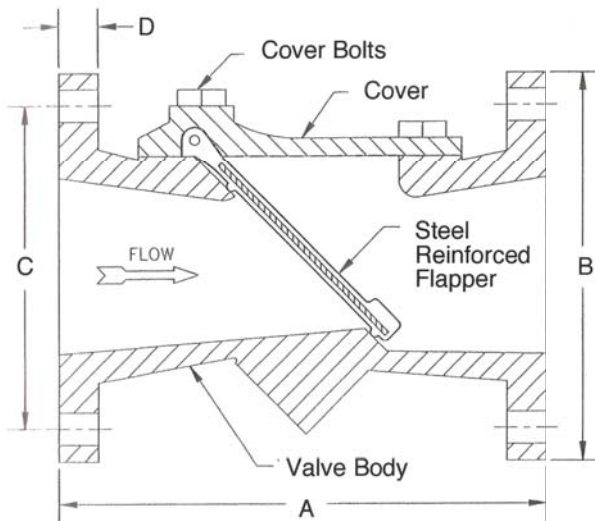
an ANDRONACO INDUSTRIES company

Dimensional Data



Size	Ball Dia.	A	B	Max. Solids Passage	Weight
1-1/2"	2-1/4"	3-5/8"	5"	1/4"	13#
2"	3"	5-3/8"	6"	7/16"	25#
3"	4"	5-15/16"	7-1/2"	5/8"	39#
4"	5-1/4"	8-1/16"	9"	7/8"	66#

Product information is subject to change; consult factory for details.



Size	A	B	C	Max. Solids Passage	Weight
2"	8"	6"	4-3/4"	1-1/4"	19#
3"	9-1/2"	7-1/2"	6"	1-3/4"	21#
4"	11-1/2"	9"	7-1/2"	2"	38#
*4"	12-3/4"	9"	7-1/2"	3"	70#
6"	15"	11"	9-1/2"	3"	99#

* 4" special design to pass 3" dia. solids



iPS™
In-Line Pump / Pipe Strainer
Maximum Flow

iEJ™
In-Line Pump connector / Expansion Joints
Maximum Flow



RamParts®
Pumps

4855 Broadmoor Ave. - Kentwood, MI. 49512
Ph. 616.656-2250 Fax 616.656-2255

www.RamPartspumps.com

©2009 RamParts, LLC. All rights reserved.

Product information is subject to change; consult factory for details.